

ZIGZAG2 INSTALLATION

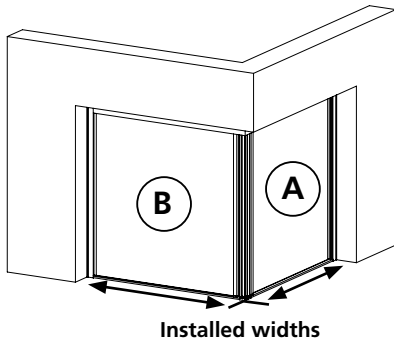
NOTES FOR SPECIAL OPENINGS

This insert is to be used in conjunction with the enclosed ZigZag2 Installation instructions when installing on special openings. Sides A and B refer to the sides of the opening given on the original ordering form and as viewed from the exterior.

CORNER OPENING:

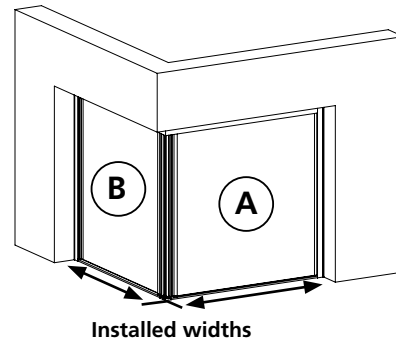
- Determine if your opening is left or right handed and follow corresponding Diagrams (**Fig. 1**).
- The corner of the opening will be the Center Mark as described in the standard Installation Instructions
- First install side guides, then measure from the opening to the desired location of the tip of the miter joint shown in (**Fig. 1**) and follow the cut chart below.
- Position Stop Block on side B fully on the corner as shown in (**Fig. 2**).
- Use a plumb bob or level to ensure the outer-most corner of Stop Block B is directly above outer-most corner of the Top Guide Miter joint (**Fig. 2**).
- Secure magnet on Cassette Assembly B, facing the interior so it connects to the magnet on the end of Cassette Assembly A (**Fig. 2**).
- If necessary, place tape on the inside of the Top Guide miter joint to block any visible light showing through the joint (**Fig. 2**).

Figure 1: Left Hand Corner
FRONT VIEW FROM EXTERIOR
INTERIOR MOUNT SHOWN

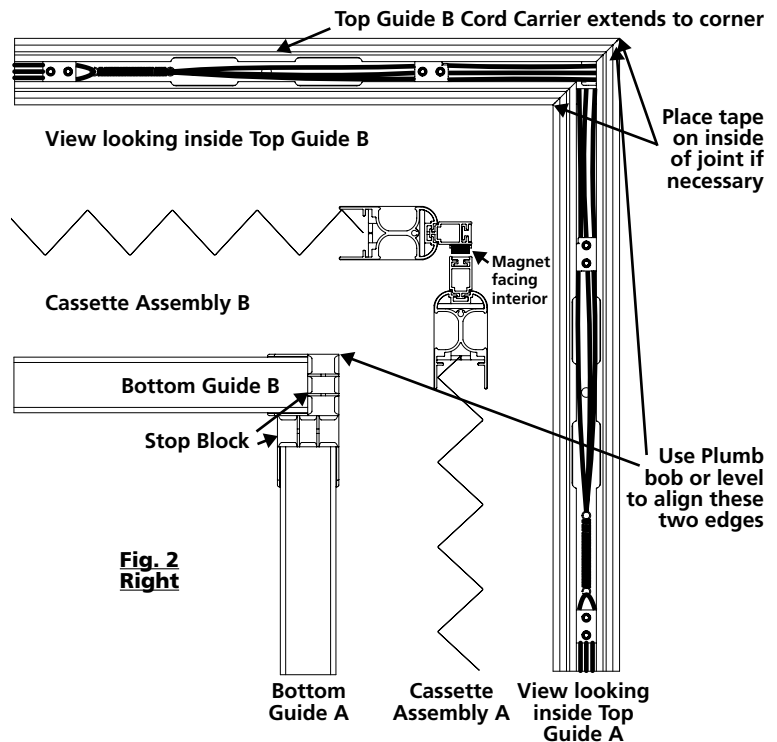
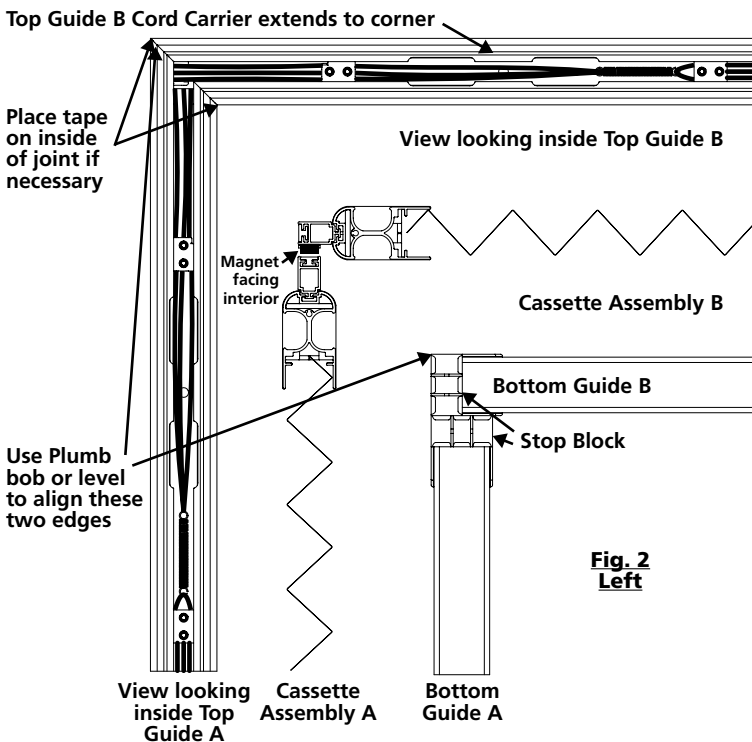


CUT LENGTH	SIDE A	SIDE B
TOP GUIDE	INSTALLED WIDTH - 1"	
BOTTOM GUIDE	INSTALLED WIDTH - 2 1/8"	INSTALLED WIDTH - 3/4"

Figure 1: Right Hand Corner
FRONT VIEW FROM EXTERIOR
INTERIOR MOUNT SHOWN



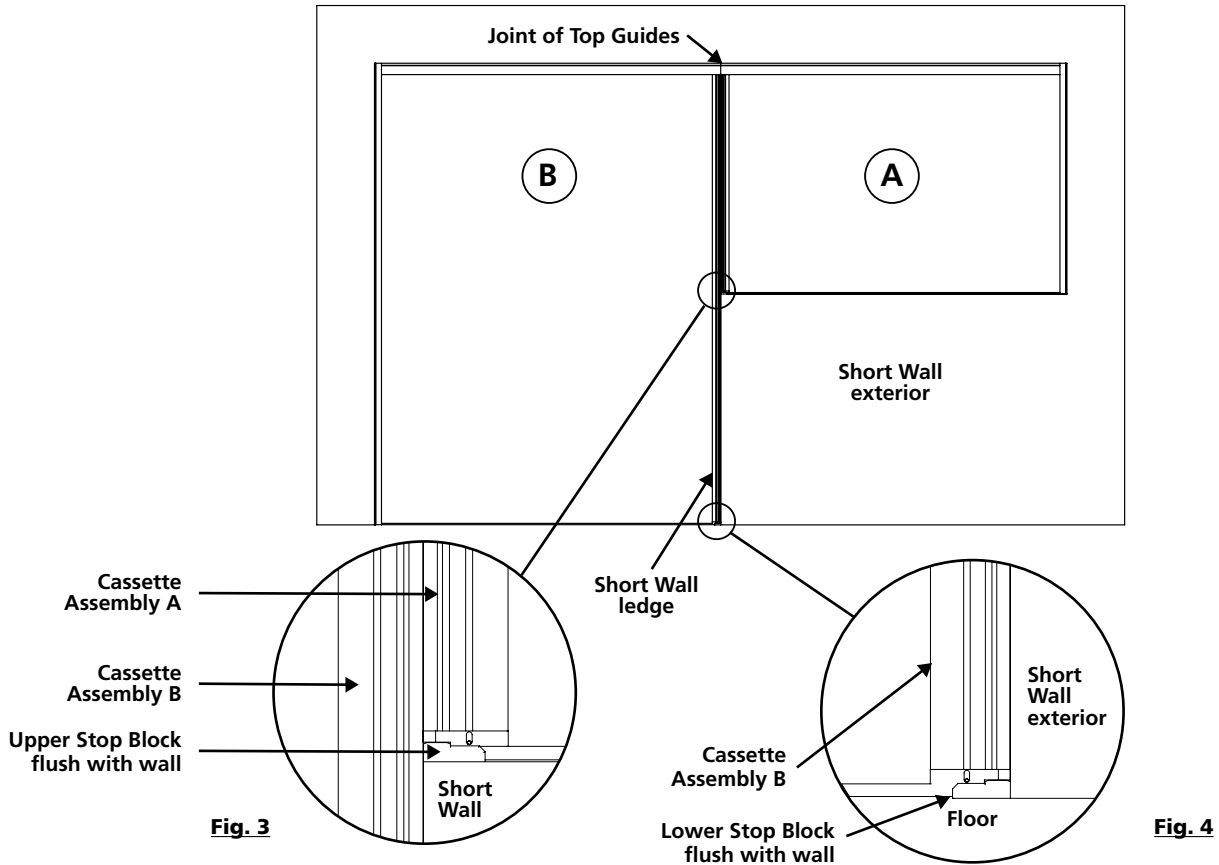
CUT LENGTH	SIDE A	SIDE B
TOP GUIDE	INSTALLED WIDTH - 1"	
BOTTOM GUIDE	INSTALLED WIDTH - 3/4"	INSTALLED WIDTH - 2 1/8"



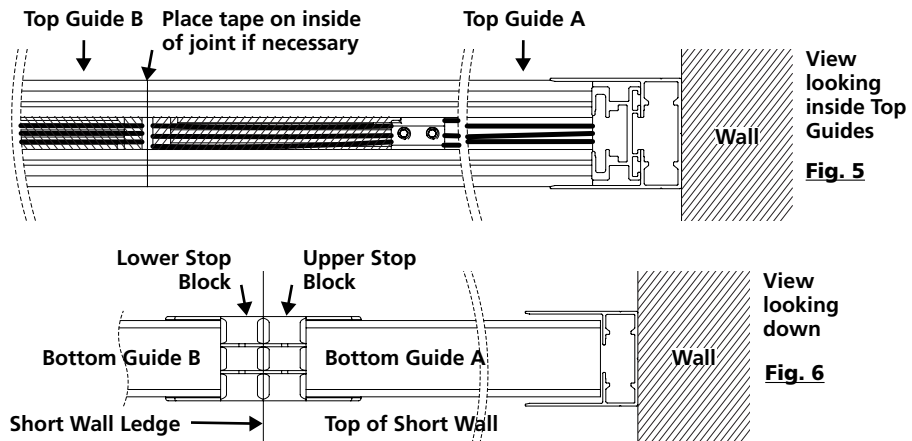
STAGGERED HEIGHT IN-LINE OPENING:

- Ensure the short end of the Stop Block is flush with the short wall ledge (**Fig. 3 and Fig. 4**).
- The location of the Short Wall Ledge will be the Center Mark as described in the standard instructions.
- After Installing the Top Guides, position Stop Blocks and verify Both stop blocks and Top Guides are vertically aligned using a level or plumb bob (**Fig. 5 and Fig. 6**).
- If necessary, place tape on the inside of the Top Guide joint to block any light showing through (**Fig. 5**).
- Additional trimming may be needed along the vertical side of the short wall to block light showing through when the screen is closed (**Fig. 6**).

FRONT VIEW FROM EXTERIOR



TOP VIEW FROM EXTERIOR



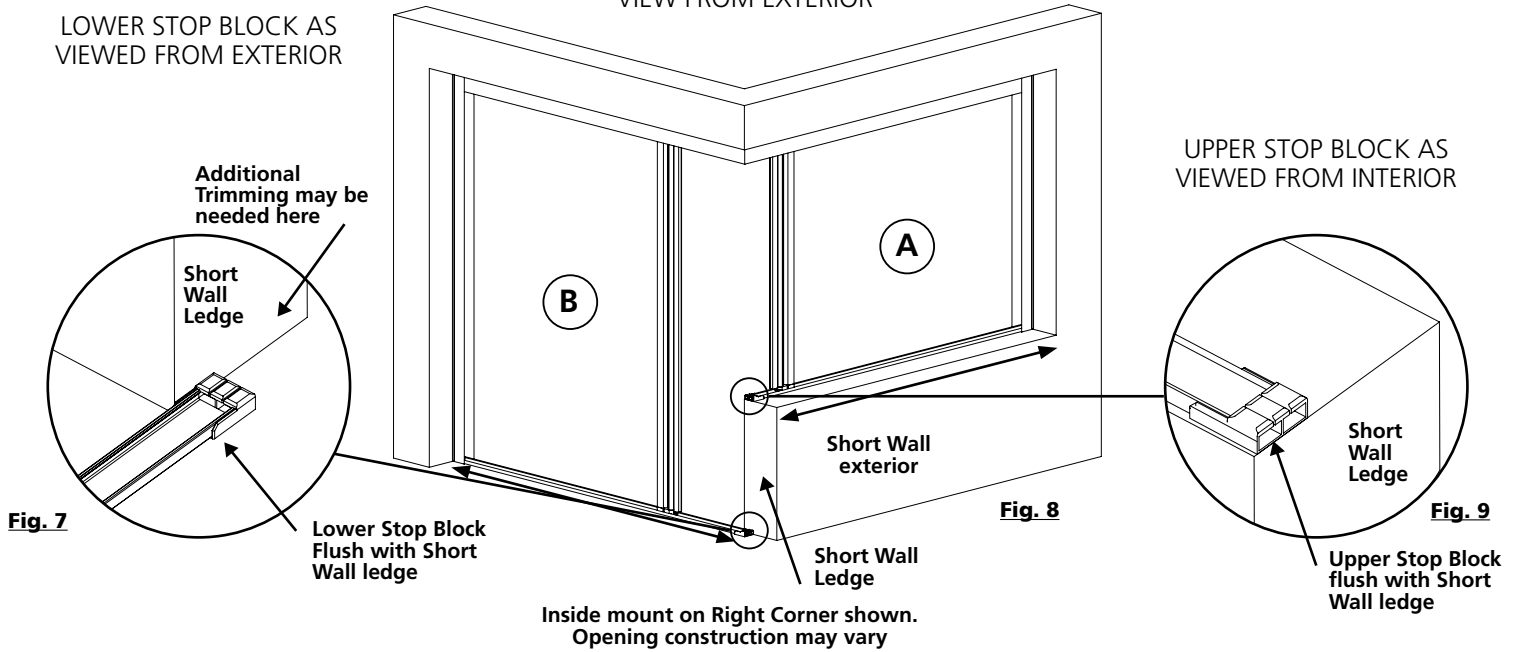
STAGGERED HEIGHT IN-LINE OPENING:

- The location of the Short Wall Ledge will be the Center Mark as described in the standard instructions.
- First install side guides, then measure from the opening to the desired location of the tip of the miter joint shown in **(Fig. 8)** and follow the cut chart below.
- Use plumb bob or level to ensure outer-most corner of Stop Block B is directly above outer-most edge of Top Guide Miter joint.
- Ensure the short end of the Stop Block is flush with the short wall ledge **(Fig. 7 and Fig. 9)**.
- Secure magnet on Cassette Assembly B, facing the interior so it connects to the magnet on the end of Cassette Assembly A **(Fig. 10)**.
- If necessary, place tape on the inside of the Top Guide miter joint to block any light showing through the joint **(Fig. 10)**.
- Additional trimming may be needed along the short wall ledge to block light showing through when the screen is closed **(Fig. 7)**.

VIEW FROM EXTERIOR

LOWER STOP BLOCK AS VIEWED FROM EXTERIOR

UPPER STOP BLOCK AS VIEWED FROM INTERIOR



Left Hand Corner

CUT LENGTH	SIDE A	SIDE B
TOP GUIDE	INSTALLED WIDTH - 1"	
BOTTOM GUIDE	INSTALLED WIDTH - 2 1/8"	INSTALLED WIDTH - 3/4"

Right Hand Corner

CUT LENGTH	SIDE A	SIDE B
TOP GUIDE	INSTALLED WIDTH - 1"	
BOTTOM GUIDE	INSTALLED WIDTH - 3/4"	INSTALLED WIDTH - 2 1/8"

