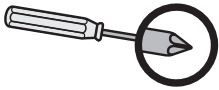


See our installation video at
www.geniusscreens.com/videos/

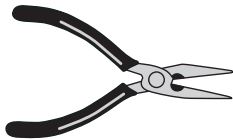


INSTALLATION TOOLS

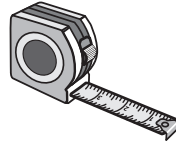
PHILLIPS SCREWDRIVER



NEEDLE NOSE PLIERS



MEASURING TAPE



HAND-HELD OR
POWER SAW



Use saw blade suitable for
cutting aluminum.



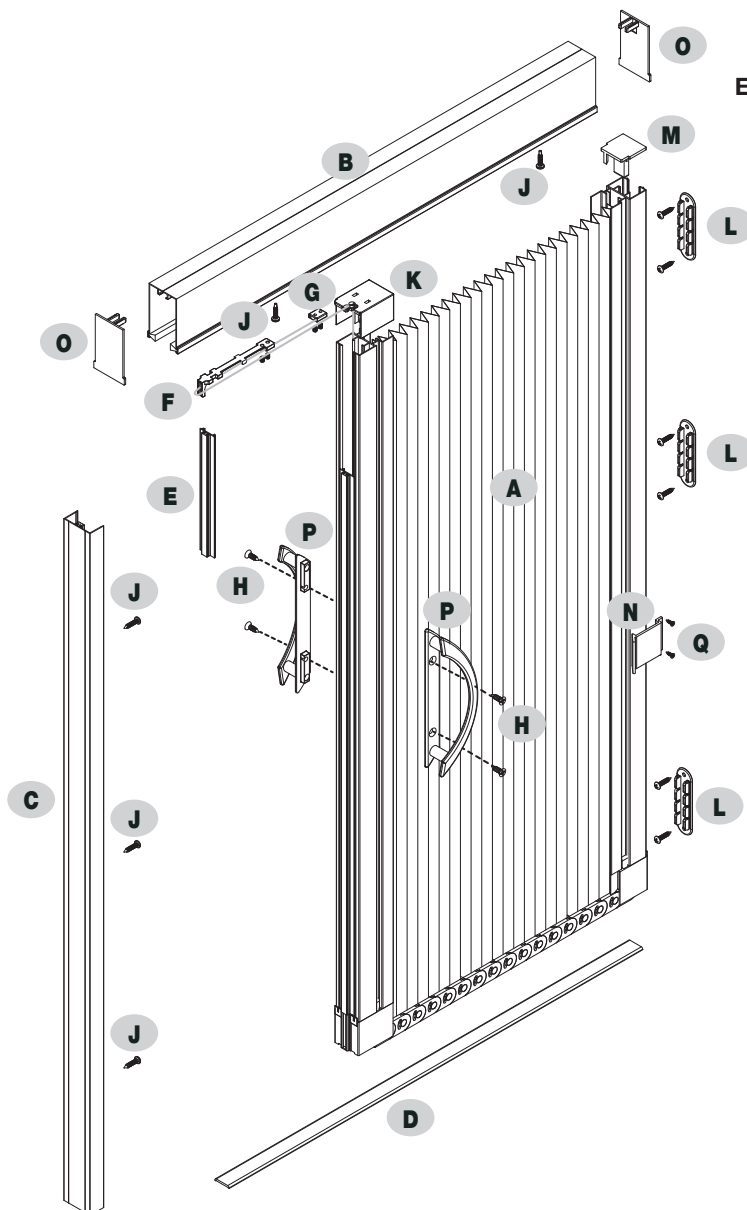
POWER DRILL & BITS



INSTALLATION QUESTIONS OR MISSING PARTS?

Call 1-866-523-9511

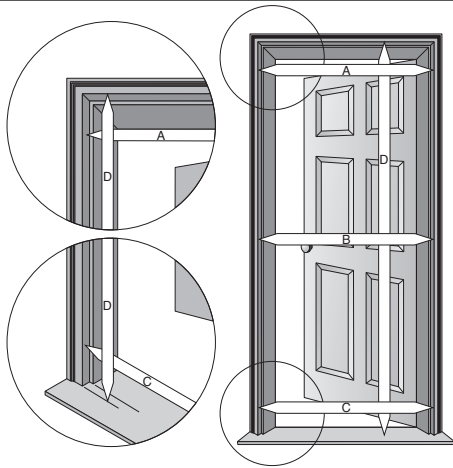
or view an installation video at www.geniusscreens.com/video



EXPLODED VIEW

- A** Cassette with Screen
- B** Top Guide
- C** Side Guide with Magnet
- D** Bottom Guide
- E** Short Magnet Holder
- F** Cord Holder
- G** Cord Lock
- H** #10 x 1/2" (12mm) Phillips Flathead Screws
- J** #8 x 3/4" (19mm) Phillips Panhead Self-drilling Screws
- K** Cassette End Cap for Cord
- L** Mounting Brackets
- M** Cassette End Cap
- N** Cassette Lock
- O** Top Guide End Caps
- P** Handle
- Q** #4 x 3/8" (6mm) Phillips Flathead Screw

STEP ONE • MEASURING THE OPENING

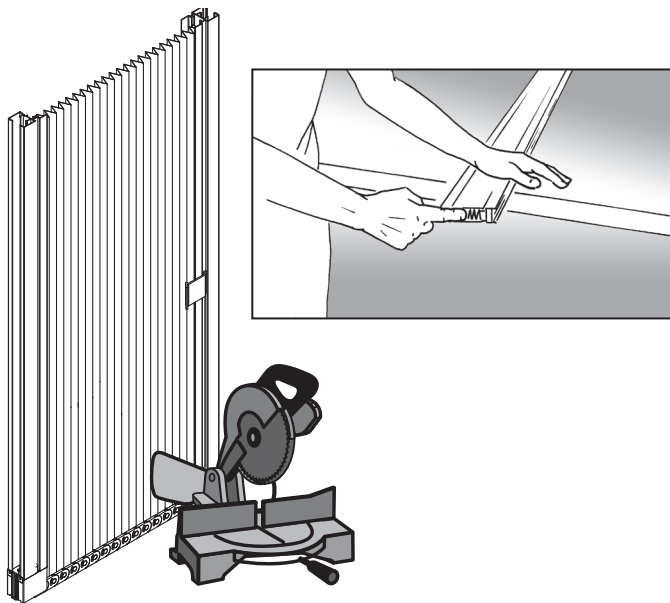


Measure the width (W) and height (H) of the door opening in several places and record the smallest for both if the measurements vary.

___ **W** x ___ **H**

Before proceeding with any cutting, separate the side guide with magnet, top guide, and bottom guide from the cassette (without opening the screen cassette itself).

2 STEP TWO • CUTTING INSTRUCTIONS

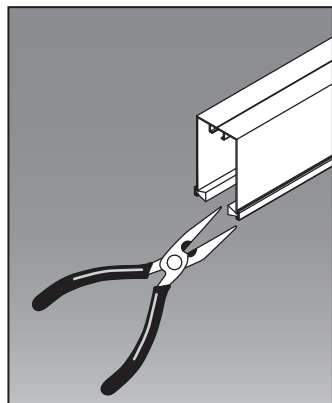
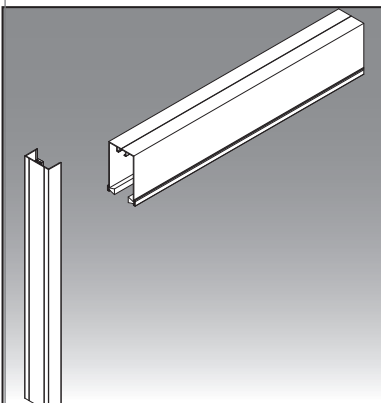


2A When cutting the cassette deduct 1-1/4" (32mm) from the height obtained in Step 1. Measure from the closed end of the cassette (the end with end caps). Place the cassette on your cutting table, remove the short section of the magnet holder from the cassette, and route the cord safely out of the path of the cut.

Cut the end without the end caps.
DO NOT cut the cord.

2B After cutting the cassette, gently pull apart the folds without opening the screen.

3 STEP THREE • SIDE AND TOP GUIDES



3A

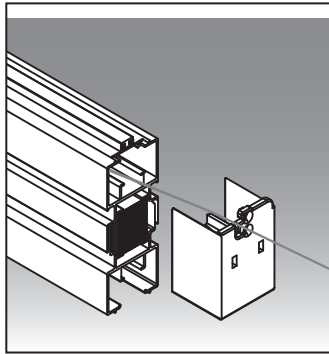
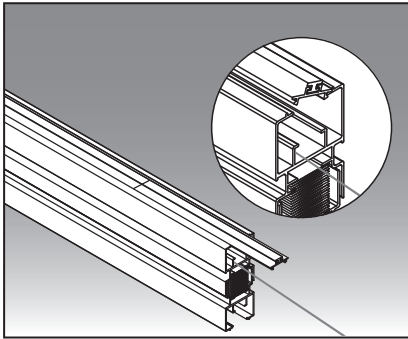
Deduct 2-1/4" (56mm) from the door opening height obtained in Step 1 and cut the side guide to this dimension.

Deduct 3/16" (5mm) from the door opening width and cut the top guide to this dimension.

3B

Crimp the ends using a pair of needle nose pliers, to secure the weatherstrips.

4 STEP FOUR • CASSETTE END CAP ASSEMBLY

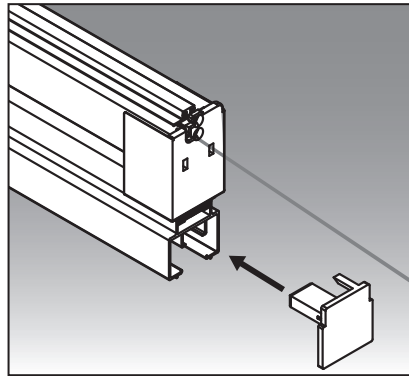


4A

Position the cord straight out of the top end of the cassette. Snap the short magnet holder into the cassette and cut off the portion that overhangs the cassette. BE CAREFUL NOT TO CUT the cord.

4B

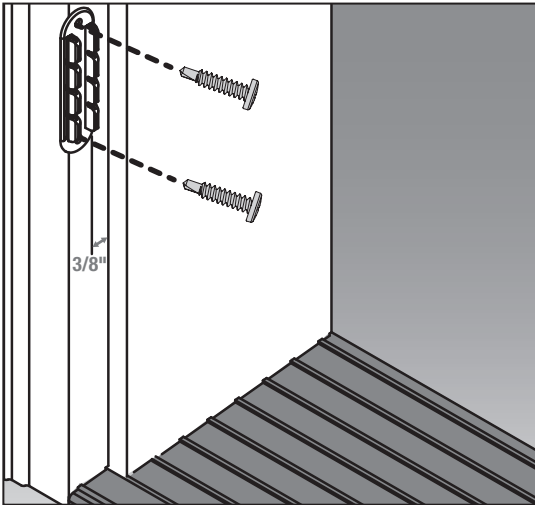
Insert the cord through the end cap for cord. Slide the end cap onto the cassette.



4C

Slide the cassette end cap into the end of the cassette.

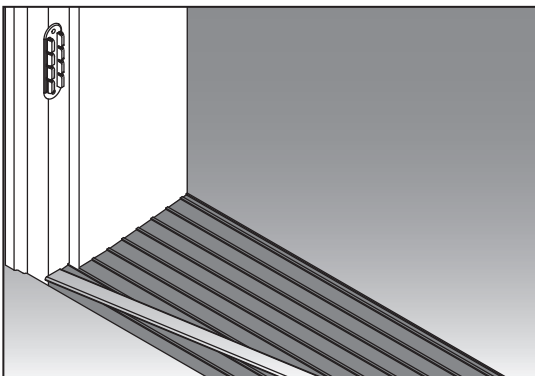
5 STEP FIVE • INSTALLATION



5A

On the side of the door opening where the cassette will be mounted, use the screws provided to attach the mounting brackets to the inside edge of the door trim. Mount the top and bottom brackets approximately 6"-8" (150-200mm) from the top and bottom of the door trim, and center the middle bracket between the top and bottom brackets.

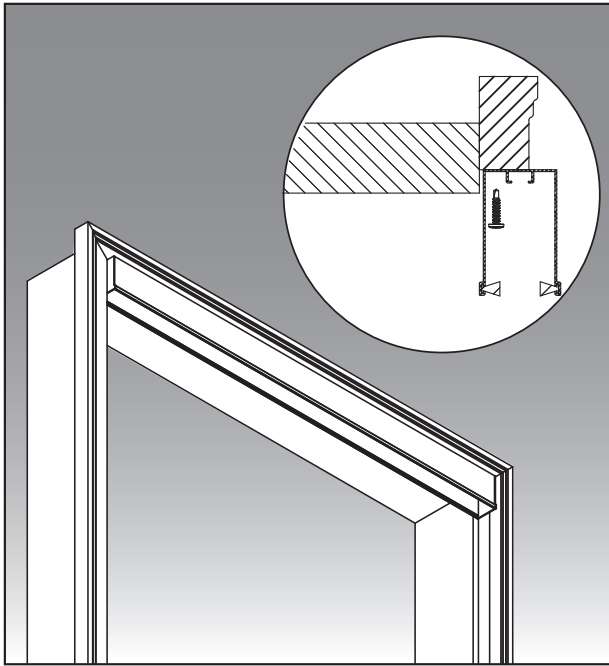
Space the edge of the brackets 3/8" (10mm) from the door frame, and align all three mounting brackets vertically. The adhesive backing can be used to hold the mounting brackets in place while they are being installed.



5B

Cut the bottom guide 1/4" (6mm) shorter than the width of the door opening.

Clean the sill. Remove the paper backing and adhere the bottom guide to the sill, tight against the door jamb, on the same side as the mounting brackets. The bottom guide should be aligned with the brackets and may overhang the sill.



5C

Insert the top guide end caps into each end of the top guide. Attach the top guide to the door using two screws provided.

5D

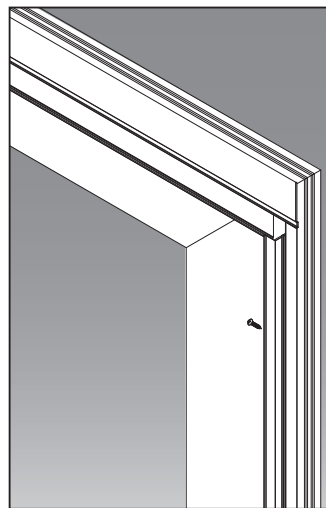
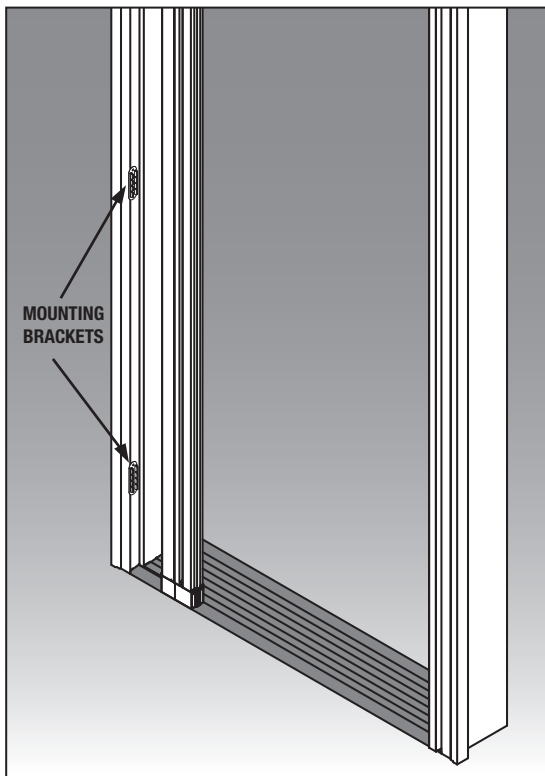
Snap the cassette onto the mounting brackets. Make sure the cassette is secured to all three clips.

5E

Attach the side guide to the inside of the door trim opposite the cassette, using three screws provided. The side guide should fit up slightly into the top guide.

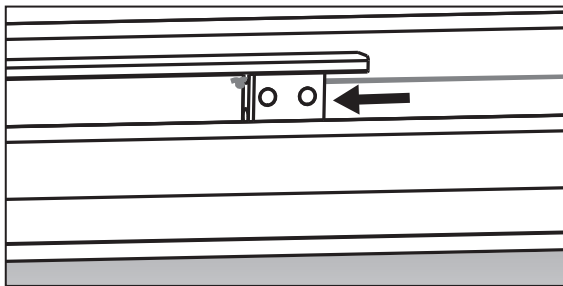
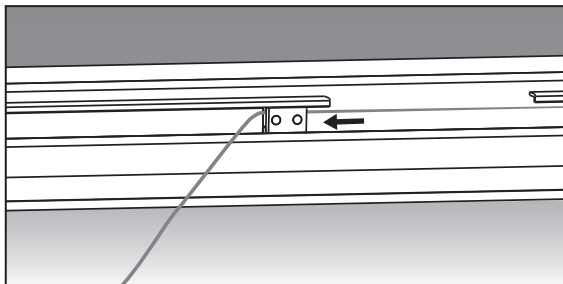
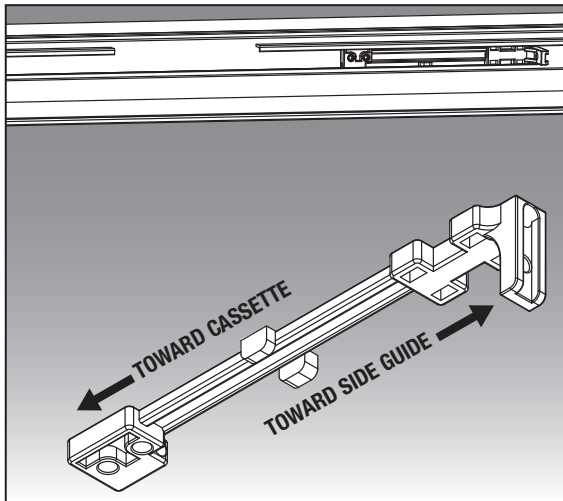


#8 x 3/4" (19mm)
Phillips Panhead
Self-drilling Screw
(ACTUAL SIZE)



#8 x 3/4" (19mm)
Phillips Panhead
Self-drilling Screw
(ACTUAL SIZE)

6 STEP SIX ATTACHING CORD HOLDER & CORD LOCK



6A

The cord that hangs out of the cassette has two plastic pieces attached: the cord holder and the cord lock.

Locate the channel and access cutouts in the top guide.

Insert the cord holder into the access cutout closest to the side guide, oriented as shown. Insert the end without the set screws first, and slide the entire cord holder all the way to the side guide channel. Use the Allen wrench provided to tighten the set screws to keep the cord holder in place.

6B

Insert the cord lock into the opposite access cutout and slide it towards the cassette about 4"-5" (100-125mm). There will be extra cord. Before tightening the cord lock in place, estimate the amount of cord needed. Remove the cord lock from the top guide, cut the cord to the length needed, and tie a new knot in the cord to prevent the cord lock from sliding off the cord.

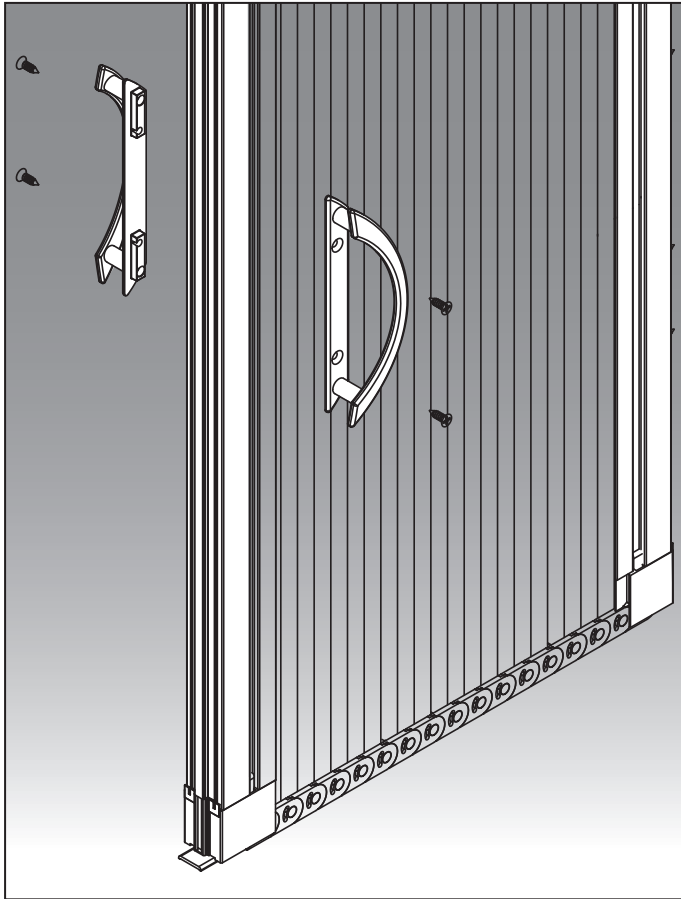
IMPORTANT: Make sure the cord coming from the cord holder moves freely, and is not caught under the cord going to the cord lock. This cord must move freely through the cord holder for proper screen operation.

6C

Reinsert the cord lock into the access cutout, slide it toward the cassette until the cord is taut, and tighten the set screws.

Open the screen and test the tension. If the screen door is difficult to open, loosen the cord lock and allow a little slack in the cord. Retighten the cord lock.

7 STEP SEVEN • HANDLE INSTALLATION



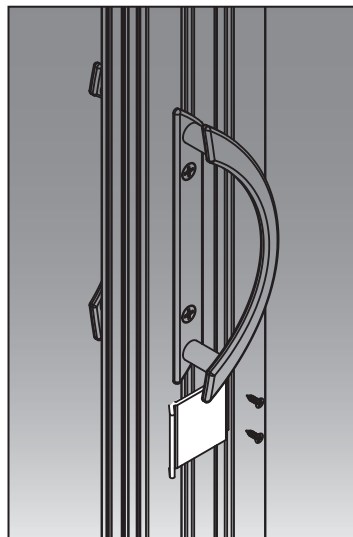
Center the handles vertically on the screen cassette pull bar. Position the arch of the handles toward the screen fabric. Locate the vertical slot and insert the two runners on the back of the handle.

Hold the handle in position and attach using the screws provided. **DO NOT PRE-DRILL HOLES** as it may damage internal components.



#10 x 1/2" (12mm)
Phillips Flathead Screw
(ACTUAL SIZE)

8 STEP EIGHT • CASSETTE LOCK (OPTIONAL)



Attach the optional cassette lock with the screws provided, just above or below the handle.



#4 x 3/8" (6 mm)
Phillips Flat Head Screw
(ACTUAL SIZE)