

IT IS HIGHLY RECOMMENDED THAT THE INSTRUCTIONS BE READ THROUGH BEFORE INSTALLATION.

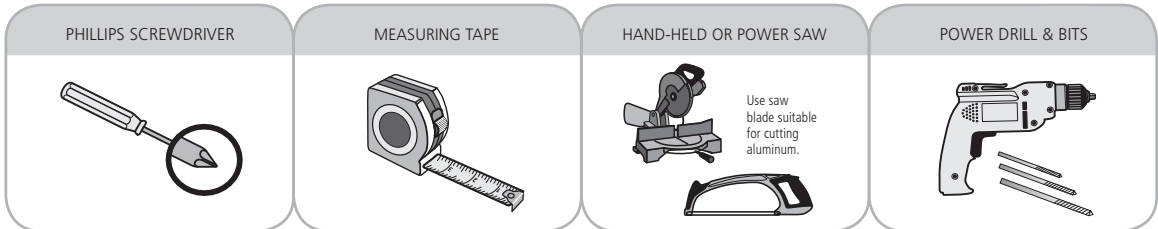


# INSTRUCTIONAL GUIDELINE

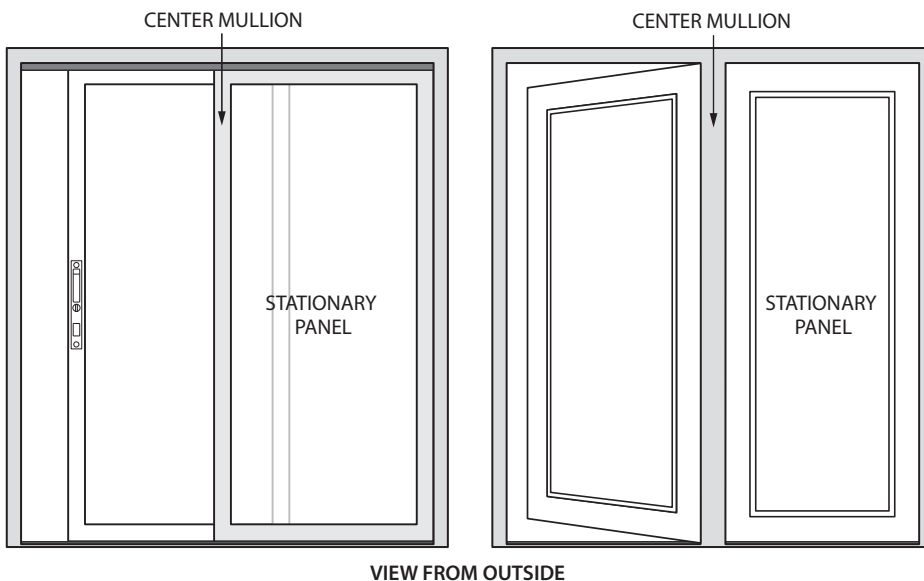
## FOR SLIDING & CENTER-HINGED PATIO DOORS

### ROLLER STYLE (SMOOTH FABRIC) RETRACTABLE SCREENS

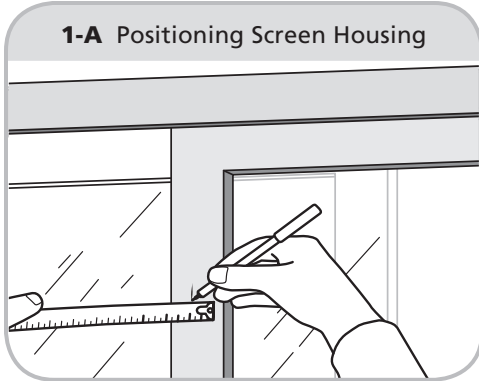
INSTALLATION TOOLS



**INTRODUCTION** Measuring sliding or center-hinged doors for roller style retractable screens is quick and easy. Each opening can vary slightly so it is always a good idea to measure each door individually before proceeding. When installing a roller style retractable screen you will typically attach the screen cassette housing to the exterior side of the center mullion of the stationary panel. Surface mounting clips will be used to affix the screen housing to the mullion of the stationary door panel. Interior installations may become necessary in the rare cases of a sliding panel on the outside or on out-swinging hinged doors. On some center-hinged doors which have a fixed mullion it may be preferable to recess (inset) mount the retractable screen. For recess mounting, please see the original instructions that accompanied the screen.



## MEASURING



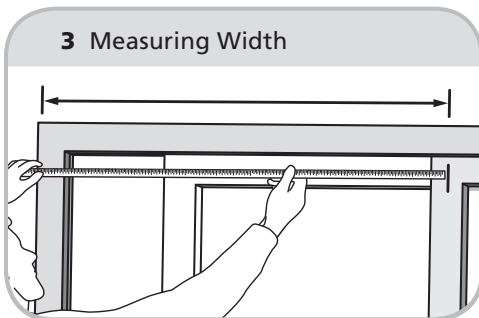
### 1 POSITIONING SCREEN HOUSING

Begin by determining where you will be positioning the screen housing on the center mullion. Measure back approximately 1" from the front edge of the mullion on both the top & bottom and place a small line here [1-A]. You will use this line momentarily in your measurements. It is vital that you leave enough room so that when fastening the screw into the surface mount clips that you do not risk hitting the glass with the screw. If necessary decrease the "measure back" or, slide the surface mount clips to the far ends of the screen cassette in order to help avoid the glass. If needed you may also eliminate using the surface mount brackets and use very high-bond double-sided tape to adhere the screen cassette housing to the stationary door panel.



### 2 MEASURING HEIGHT

Measure the height for the housing and the jamb side rail. Measure from the topmost lip of the bottom sill to the lowermost lip of the header and record the measurements here: \_\_\_\_\_



### 3 MEASURING WIDTH

The top and bottom rails dimensions are taken by measuring from the inside lip of the side jamb to one of the marked points on the center mullion that you made earlier. Record the measurement here: \_\_\_\_\_

Measuring for your desired "Net Screen Opening" dimension is now complete. Once the screen is made the assembled screen should match these dimensions. Provide the width and height measurements when ordering a fully sized and assembled screen. If using an Easy Install screen kit (unassembled and intended for sizing on-site), you will use the Net Screen Opening dimensions to determine cut sizes for the various screen components. Now please reference the Installation Instructions for the sizing and assembly guidelines for the specific system you will be assembling and installing.

**SIZING & ASSEMBLY** Please reference the Installation Instructions for the sizing and assembly guidelines for the specific system that you have purchased.



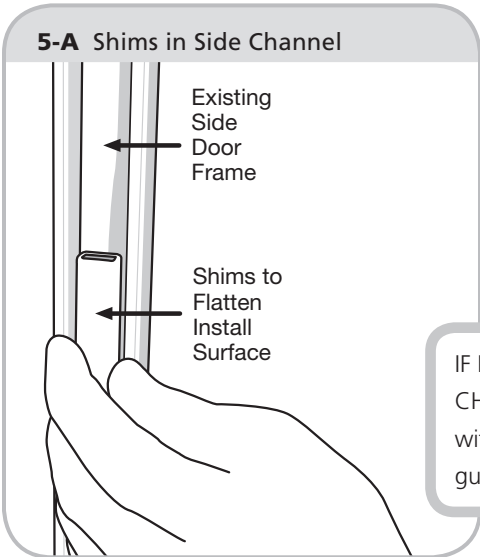
**4-A** Attaching Housing Above



**4-B** Attaching Housing Below

**4** ALIGNING SCREEN CASSETTE

Align the rear of the screen cassette housing with the marks you previously made on the center mullion of the stationary door panel. Attach the screen cassette using screws through the surface mount clips and into the door panel frame. Take great care to be certain that the screws do not strike the glass.

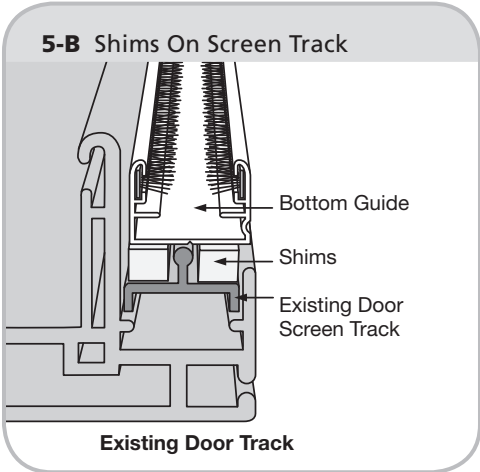


**5-A** Shims in Side Channel

**5** MOUNTING SURFACE

Having or creating a stable mounting surface is critical to the installation. Depending upon the design of your master frame to may be necessary to insert shim material just inside the existing frame screen track on the side, top and bottom [5A]. (see 5-A through D for further assistance with bottom sill applications). Doing this creates a stable surface to rest the rails upon prior to attaching the profiles to the door using screws.

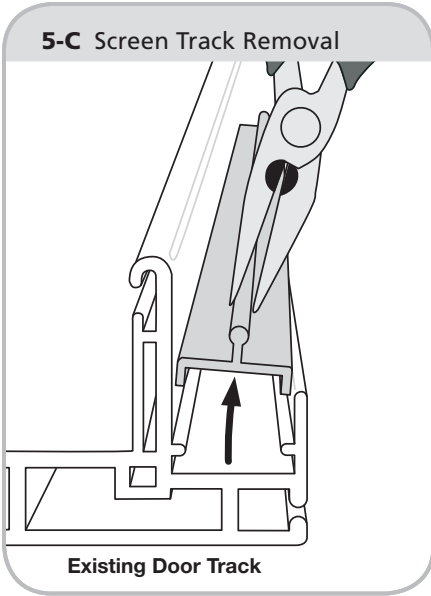
IF NEEDED APPLY SHIMS AT SIDE & TOP CHANNELS before adding and securing with screws the retractable screen top guide and side profile.



**5-B** Shims On Screen Track

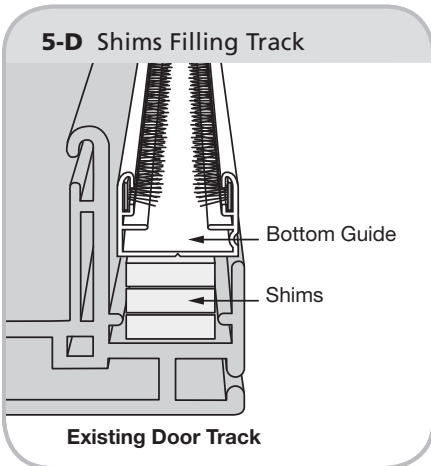
**DOOR THRESHOLDS with SCREEN TRACK**

Many Patio Doors have a **Screen Track** [5-B] that will now be obsolete with the installation of your Retractable Screen. There are instances where resting the **Bottom Guide** above the existing screen track is the desirable method. If needed, add shims to create a stable, level surface for mounting the **Guide** [5-B].



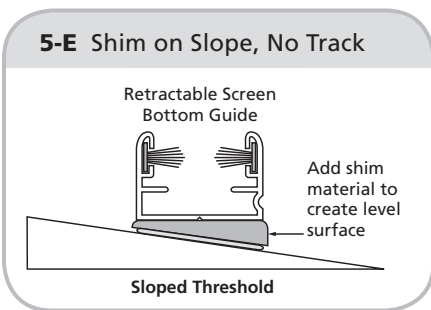
## 5 REMOVABLE SCREEN TRACKS

If however, the existing door's Screen Track is removable, take out the Track by hand or with any type of pliers [5-C].



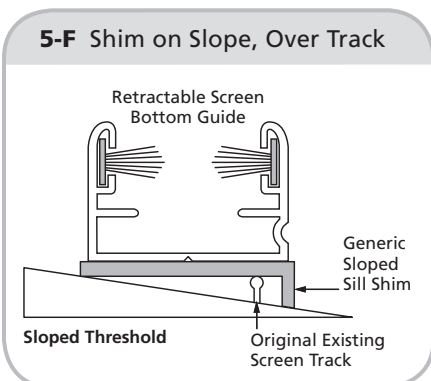
## SHIM MATERIAL

Then add non-degradable shim material (plastic, nylon or similar) [E3] so that you create a flat and stable surface for the Retractable Screen Bottom Guide Rail [5-D].



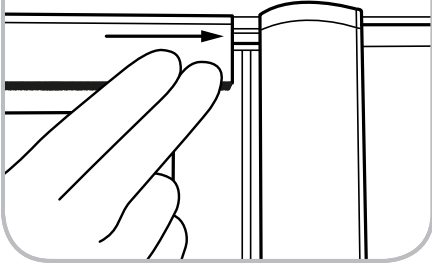
## BOTTOM SILL OF CERTAIN CENTER HINGED OR SLIDING PATIO DOORS

Some doors have an angles (sloped) sill threshold. Apply shim material so the retractable screen Bottom Guide has a stable, level surface to mount on.



Some doors do not use a channel design yet they have an angled (sloped) sill threshold with an extruded monorail screen track. Apply shims or trim material in order to create a flat, solid surface onto which you can mount the retractable screen bottom guide rail.

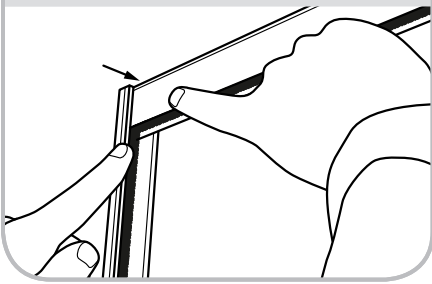
**6** Install Top & Bottom Rails



6

Now take the top and bottom rails and insert each onto the protruding edge of the end caps of the screen housing.

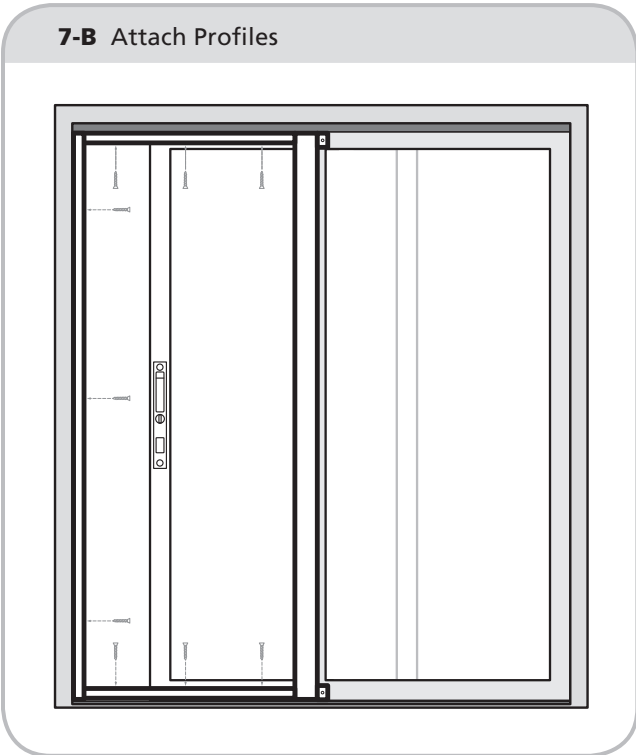
**7-A** Install Top & Bottom Rails

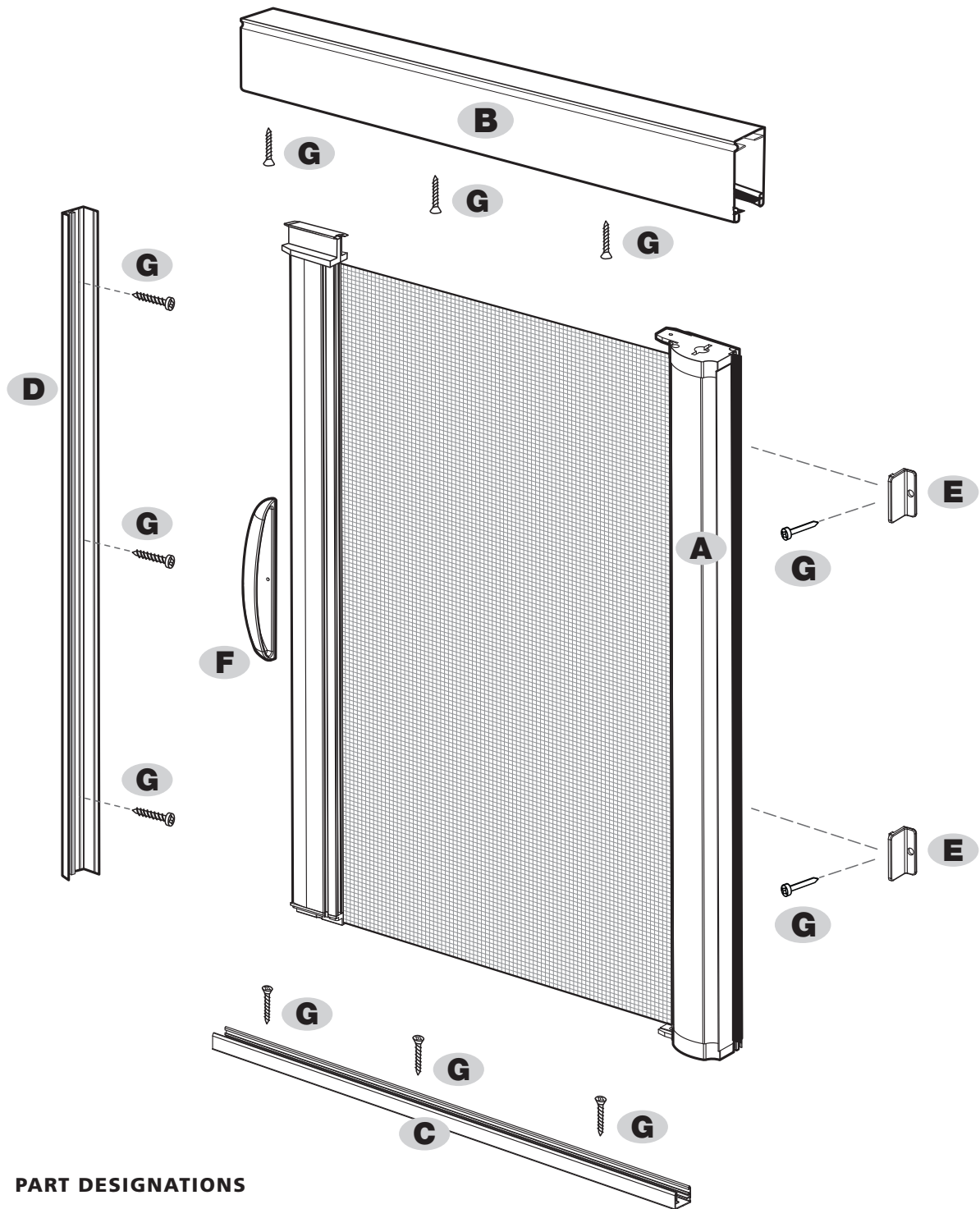


7

Grasp the opposite ends of top/bottom rails and insert them just inside of the side profile [7-A]. Notice that the magnet inside the side profile is slightly offset. Gently push all profiles into the door frame area and fasten each using 3 or more self-tapping screws [7-B].

**7-B** Attach Profiles





**PART DESIGNATIONS**

**A** Screen Cassette Assembly

**B** Top Guide Rail

**C** Bottom Guide Rail

**D** Side Rail

**E** Surface Mount Clips

**F** Handle

**G** Phillips Panhead Screws

This exploded view is intended for instructional use. Your actual system may have different styling and components.